

# LWU505

Corporate AV  
Government  
Higher education  
Houses of worship  
Live events



## Image clarity, quality and HD widescreen resolution

The Christie® LWU505 is one of the highest resolution projectors in the 5000 lumen LCD market today. Suitable for data and video presentations, it offers WUXGA (1920 x 1200) resolution and is packed with additional features. It's an ideal choice for small to large sized applications – corporate AV, higher education, houses of worship – any organization requiring a high definition widescreen projector in the 5000 ANSI lumens range.

Long-life optical components and AutoFilter provide increased reliability, ensure worry-free presentations and make this projector easy to maintain. The motorized lens shift, zoom and focus, 3D Keystone™ technology and center lens design allow for quick

and easy setup. The 3D Keystone technology is a four-corner geometry correction feature that gives you even more display options since it allows for quick and easy image alignment on a variety of screen sizes, as well as simple curved screen displays. The Christie LWU505 uses the same suite of optional lenses compatible with the Christie LX505, Christie LX605 and the Christie LW555 which enables easy integration with these other projectors, and ensures a lower cost of ownership.

This compact, lightweight projector is packed full of premium features, at an affordable price, and backed by Christie's industry-leading warranties, service and support.

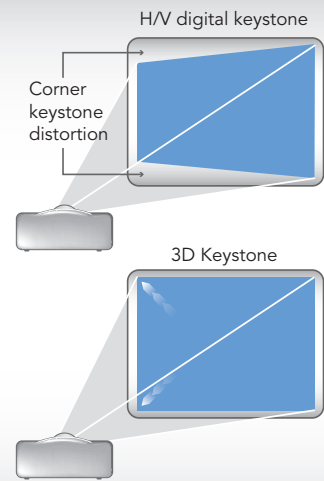
**CHRISTIE®**

LWU505 (103-030104-01)		
Image	brightness	• 5000 ANSI lumens
	contrast	• 2000:1 (full on/off)
	uniformity	• 80% brightness uniformity (corner to corner)
Display technology	type	• 3 x 0.76" Polysilicon TFT active matrix type LCD panel – Inorganic
	native resolution	• WUXGA (1920 x 1200)
Lamp	type	• Single 330W NSHA
	estimated life	• Normal mode: up to 2000 hrs • Eco mode: up to 3000 hrs
Input	signals	• WUXGA, WXGA, SXGA+, SXGA, XGA, SVGA, VGA, MAC • HDTV formats (720p, 1035i, 1080i, 1080p)
	pixel clock	• 162 MHz (analog)/162 MHz (digital)
	scan rates	• Horizontal frequency range 15-120kHz • Vertical frequency range 48-100Hz
Inputs/ outputs, control and networking	input	• Input 1: DVI-D x 1 (HDCP), D-Sub15 x 1, HDMI x 1 • Input 2: 5-BNC (R, G, B, H, V & Y, Pb/Cb, Pr/Cr & Composite) • Input 3: S-video – Mini DIN 4-pin • RCA x 3 (Video/Y, Pb/Cb, Pr/Cr) • Audio In – Mini jack x 2 (1, 2) (stereo) • RCA x 2 (R, L-mono) • Control port Dsub-9 x 1 • R/C Jack – Mini jack x 1 (wired remote) • RJ45 LAN x 1
	output	• D-Sub15 (Monitor out) x 1 • Audio out – Mini jack x 1 (stereo)
Optical system	• Motorized zoom, focus and lens shift • Vertical and Horizontal lens shift <sup>1</sup>	
Lenses	fixed	• Short 0.8:1 (103-124108-XX)
	zoom	• Ships with standard lens – Standard 1.70-2.89:1 (103-126100-XX) • Short 1.25-1.70:1 (103-125109-XX) • Long 2.89-4.60:1 (103-127101-XX) • Long 4.60-7.36:1 (103-128102-XX)
	digital keystone	• Vertical: ±30 degrees • Horizontal: ±30 degrees
Accessories	standard	• Quick setup manual • PIN code label registration card • UL cable card • Lens adaptor • Power cord-AC cord UL type (NEMA 6-20P plug type) • AC cord (European 2P plug type) • Computer cable (D-Sub15) • Remote control • Lens mount cover • Lens anti-theft screw • USB cable
	optional	• CCM-LX for enhanced network options (103-115108-XX) • AutoFilter cartridge (003-003084-XX) • Replacement lamp (003-120507-XX)
Enhanced feature sets	• 10-bit image processing • Top loading lamp • 1-button quick lens release • Digital keystone h/v and 3D Keystone technology • Suite of optional lenses • Easy menu navigation • Up to 13,000 hour AutoFilter • 360 degree on axis rotation • Built-in networking RJ45 • Expansion port for advanced networking module (CCM-LX) • Customized logo capture • 10 watt speaker • Mechanical shutter (light douser)	
Power requirements	operating voltage	• 100-120 VAC ±10% • 200-240 VAC ±10%
	operating current	• In rush: 30A (AC100V); 60A (AC276V) • Current: 5.2A (AC100V); 2.5A (AC200V)
	consumption	• 488W max
	dissipation	• 1771 BTU/h max @ 100-120V • 1665 BTU/h max @ 200-240V
Dimensions	size	• Body with standard lens (LxWxH): 17.12 x 19.27 x 6.50" (434.8 x 489.5 x 164.0mm)
	shipping size	• (LxWxH): 22.90 x 26.81 x 12.52" (581.0 x 681.0 x 318.0mm)
	weight	• 21.6lbs (9.8kg) with standard lens
	shipping weight	• 35.1lbs (15.9kg)
Noise	• Standard mode: 35dBA • Eco mode: 29dBA	
Operating environment	• Operating temperature: 41-104°F (5-40°C) • Humidity (non-condensing): 20-80% • Altitude: 0-8858ft (0-2700m)	
Regulatory approvals	This product conforms to the following regulations related to product safety, environmental requirements and electromagnetic compatibility (EMC): • CISPR22/EN55022 • CISPR24/EN55024 • UL 60950-1 first edition • CAN/CSA C22.2. No 60950-1-03 first edition • IEC60950-1:2001	
Limited warranty	• Three years parts and labor • Lamp: 500 hrs or 120 days (whichever comes first) • Contact an authorized Christie representative for full details of our limited warranty	

Performance specifications are typical and are subject to change

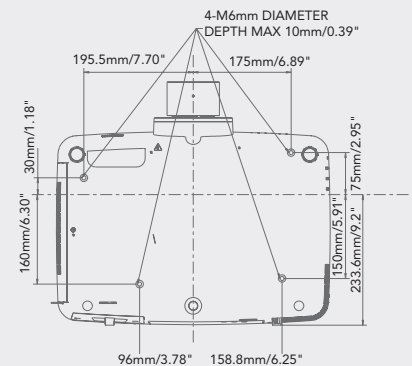
<sup>1</sup> Actual range depends on lens used

### 3D Keystone technology

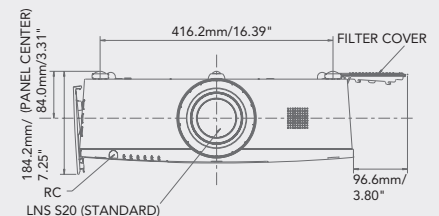


- ▲ Utilizing 3D Keystone technology, a four-corner geometry correction tool, you can quickly and easily align your image even in the most challenging environments.

### Bottom view



### Front view



### Corporate offices

Christie Digital Systems USA, Inc  
USA – Cypress  
ph: 714 236 8610

Christie Digital Systems Canada Inc.  
Canada – Kitchener  
ph: 519 744 8005

### Worldwide offices

United Kingdom  
ph: +44 (0) 118 977 8000

Germany  
ph: +49 2161 664540

France  
ph: +33 (0) 1 41 21 44 04

Spain  
ph: +34 91 633 9990

Eastern Europe and  
Russian Federation  
ph: +36 (0) 1 47 48 100

United Arab Emirates  
ph: +971 4 3206688

India  
ph: +91 80 6708 9999

Singapore  
ph: +65 6877 8737

China (Shanghai)  
ph: +86 21 6278 7708

China (Beijing)  
ph: +86 10 6561 0240

Japan (Tokyo)  
ph: 81 3 3599 7481

Korea (Seoul)  
ph: +82 2 702 1601

### Independent sales consultant offices

Italy  
ph: +39 (0) 2 9902 1161

South Africa  
ph: +27 (0) 317 671 347



For the most current specification information, please visit [www.christiedigital.com](http://www.christiedigital.com)

Copyright 2012 Christie Digital Systems USA, Inc. All rights reserved. All brand names and product names are trademarks, registered trademarks or tradenames of their respective holders. Christie Digital Systems Canada Inc.'s management system is registered to ISO 9001 and ISO 14001. Performance specifications are typical. Due to constant research, specifications are subject to change without notice. Printed in Canada on recycled paper. 3289 Apr 12

**CHRISTIE**