

# HD33 / FD33 Triangle Truss – two tubes up

Triangular Truss with equilateral profile geometry for larger loads.

## Triangle Truss – two tubes up – for Heavy loads

### HD33 / FD33 TRIANGLE TRUSS

HD33 / FD33 with excellent load capacity on free spans of 12m.

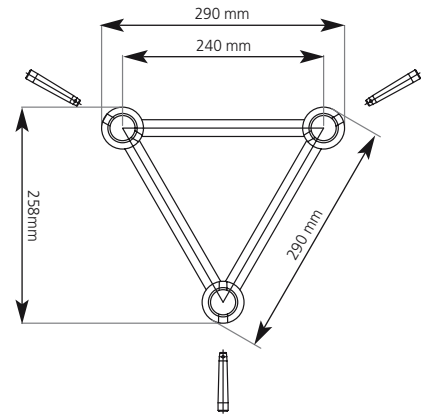
HD33 / FD33 straight elements lend themselves to use as span exposed to bending stress resistant span up to 12m.

HD33 using the 3mm wall thickness assures durability and extra strength.

Designed for high frequency usage or installations, which demands higher loading. Combined with HD34 / FD34, they possess a broad range of applications.

Made with the fast connection system and approved according to the DIN 4113 specifications by the TUV.

Dimensions HD33 / FD33



#### HD33 TRUSS

#### FACTS

- Increased wall thickness of 3mm for 50mm main tubes
- Increased loading compared to FD33 (up to 50%)

#### FD33 TRUSS

#### FACTS

- Tolerance free conical connector
- Wall thickness of 2mm for 50mm main tubes
- Also available in any non-standard length and shape
- TuV approved



Measurements:	HD33	FD33
Main tube:	50x 3mm	50x 2mm
Braces:	20x 2mm	20x 2mm
Material:	EN AW-6082 T6	
Connection:	CS1-CON	
Weight:	~5,5 kg/m	~4,5 kg/m

#### Loadcases HD33

Length (m)	4	6	7	8	9	10	11	12
CPL in kg	665	434	367	315	275	242	215	192
Deflection (mm)	10	22	30	39	50	62	75	90
UDL in kg/mtr	332	145	105	79	61	48	39	32
Deflection (mm)	12	27	37	48	61	75	91	108

HD/FD44  
HD/FD43  
HD/FD42  
HD/FD34  
HD/FD33  
HD/FD32

# HD33 / FD33 Triangle Truss – two tubes up

Triangular Truss with equilateral profile geometry for larger loads.

## HD33 / FD33 CORNER

The HD33 / FD33 series allow a wide variety of structural shapes in up to three levels by using corners, cross-pieces and tees (all available with down and up attachments)

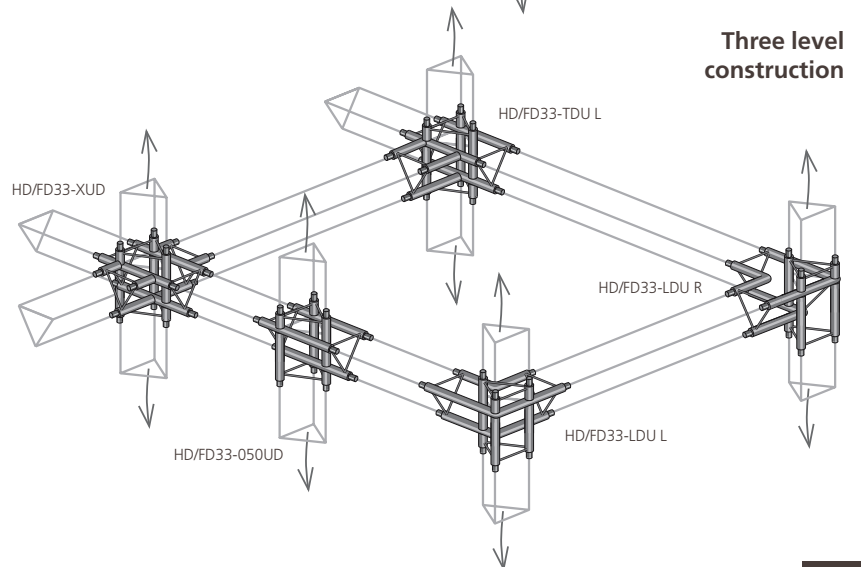
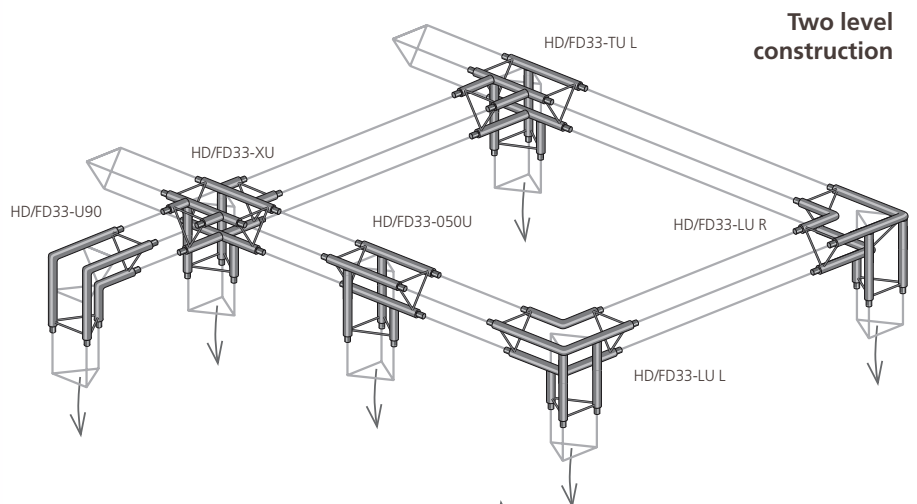
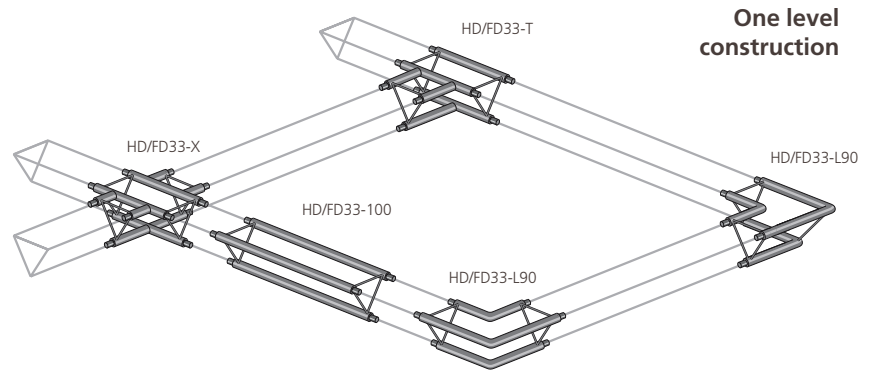
Permitting almost limitless possibilities for the realization of creative ideas.

Optically and statically adapted to fit the straight elements.

Complementary accessories and the article codes of the HD33 System can be found at the page 166. For FD33 System look at page 168.

### Measurement Corners for HD33 / FD33

Cornercode	Size in cm
HD/FD33-L45	100 x 100
HD/FD33-L60	100 x 100
HD/FD33-L90	50 x 50
HD/FD33-L120	50 x 50
HD/FD33-L135	50 x 50
HD/FD33-T	50 x 50
HD/FD33-X	50 x 50
HD/FD33-U90	50 x 50
HD/FD33-LU L/R	50 x 50
HD/FD33-050U	50 x 50
HD/FD33-TU L/R	50 x 50 x 50
HD/FD33-XU	50 x 50 x 50
HD/FD33-LDU L/R	50 x 50 x 50
HD/FD33-TDU L/R	50 x 50 x 50
HD/FD33-050UD	50 x 50
HD/FD33-XUD	50 x 50 x 50
SC-3X	0-180°, Swivelcorner
SB-3X	0-180°, Swivelbase
BC-3X	0-180°, Bookcorner



### Loadcases FD33

Length (m)	4	6	7	8	9	10	11	12
CPL in kg	438	286	240	206	179	156	138	122
Deflection (mm)	9	21	29	42	48	60	73	88
UDL in kg/mtr	219	95	69	53	40	32	26	21
Deflection (mm)	12	26	36	48	60	73	91	108

HD/FD44

HD/FD43

HD/FD42

HD/FD34

HD/FD33

HD/FD32

# HD33 / FD33 Triangle Truss – two tubes down

Triangular Truss with equilateral profile geometry for larger loads.

## Triangle Truss – two tubes down – for Heavy loads

### HD33 / FD33 TRIANGLE TRUSS

HD33 / FD33 with excellent load capacity on free spans of 12m.

HD33 / FD33 straight elements lend themselves to use as span exposed to bending stress resistant span up to 12m.

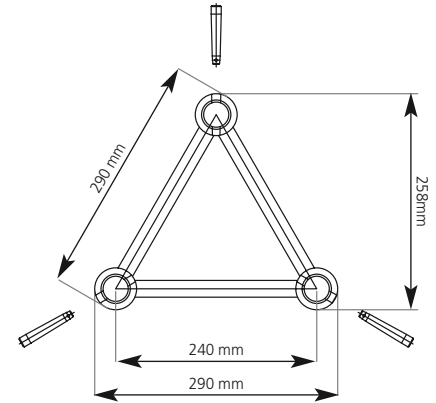
HD33 using the 3mm wall thickness assures durability and extra strength.

Designed for high frequency usage or installations, which demands higher loading.

Combined with HD34 / FD34, they possess a broad range of applications.

Made with the fast connection system and approved according to the DIN 4113 specifications by the TUV.

Dimensions HD33 / FD33



#### HD33 TRUSS

#### FACTS

- Increased wall thickness of 3mm for 50mm main tubes
- Increased loading compared to FD33 (up to 50%)

#### FD33 TRUSS

#### FACTS

- Tolerance free conical connector
- Wall thickness of 2mm for 50mm main tubes
- Also available in any non-standard length and shape
- TuV approved



Measurements:	HD33	FD33
Main tube:	50x 3mm	50x 2mm
Braces:	20x 2mm	20x 2mm
Material:	EN AW-6082 T6	
Connection:	CS1-CON	
Weight:	~5,5 kg/m	~4,5 kg/m

#### Loadcases HD33

Length (m)	4	6	7	8	9	10	11	12
CPL in kg	665	434	367	315	275	242	215	192
Deflection (mm)	10	22	30	39	50	62	75	90
UDL in kg/mtr	332	145	105	79	61	48	39	32
Deflection (mm)	12	27	37	48	61	75	91	108

HD/FD44  
HD/FD43  
HD/FD42  
HD/FD34  
HD/FD33  
HD/FD32

# HD33 / FD33 Triangle Truss – two tubes down

Triangular Truss with equilateral profile geometry for larger loads.

## HD33 / FD33 CORNER

The HD33 / FD33 series allow a wide variety of structural shapes in up to three levels by using corners, cross-pieces and tees (all available with down and up attachments)

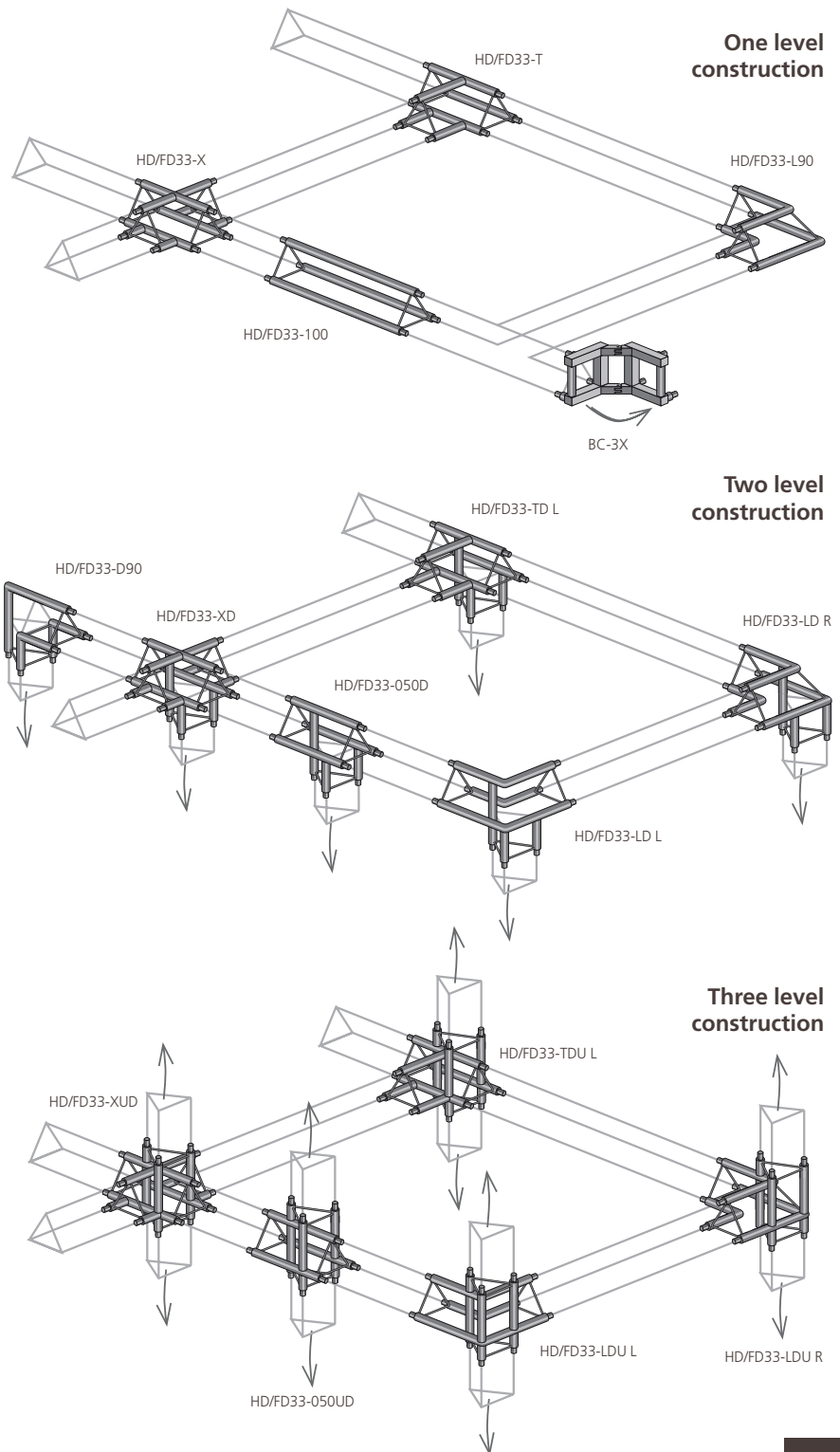
Permitting almost limitless possibilities for the realization of creative ideas.

Optically and statically adapted to fit the straight elements.

Complementary accessories and the article codes of the HD33 System can be found at the page 166. For FD33 System see page 168.

### Measurement Corners for HD33 / FD33

Cornercode	Size in cm
HD/FD33-L45	100 x 100
HD/FD33-L60	100 x 100
HD/FD33-L90	50 x 50
HD/FD33-L120	50 x 50
HD/FD33-L135	50 x 50
HD/FD33-T	50 x 50
HD/FD33-X	50 x 50
HD/FD33-D90	50 x 50
HD/FD33-LD L/R	50 x 50
HD/FD33-050D	50 x 50
HD/FD33-TD L/R	50 x 50 x 50
HD/FD33-XD	50 x 50 x 50
HD/FD33-LDU L/R	50 x 50 x 50
HD/FD33-TDU L/R	50 x 50 x 50
HD/FD33-050UD	50 x 50
HD/FD33-XUD	50 x 50 x 50
SC-3X	0-180°, Swivelcorner
SB-3X	0-180°, Swivelbase
BC-3X	0-180°, Bookcorner



### Loadcases FD33

Length (m)	4	6	7	8	9	10	11	12
CPL in kg	438	286	240	206	179	156	138	122
Deflection (mm)	9	21	29	42	48	60	73	88
UDL in kg/mtr	219	95	69	53	40	32	26	21
Deflection (mm)	12	26	36	48	60	73	91	108

HD/FD44

HD/FD43

HD/FD42

HD/FD34

HD/FD33

HD/FD32